

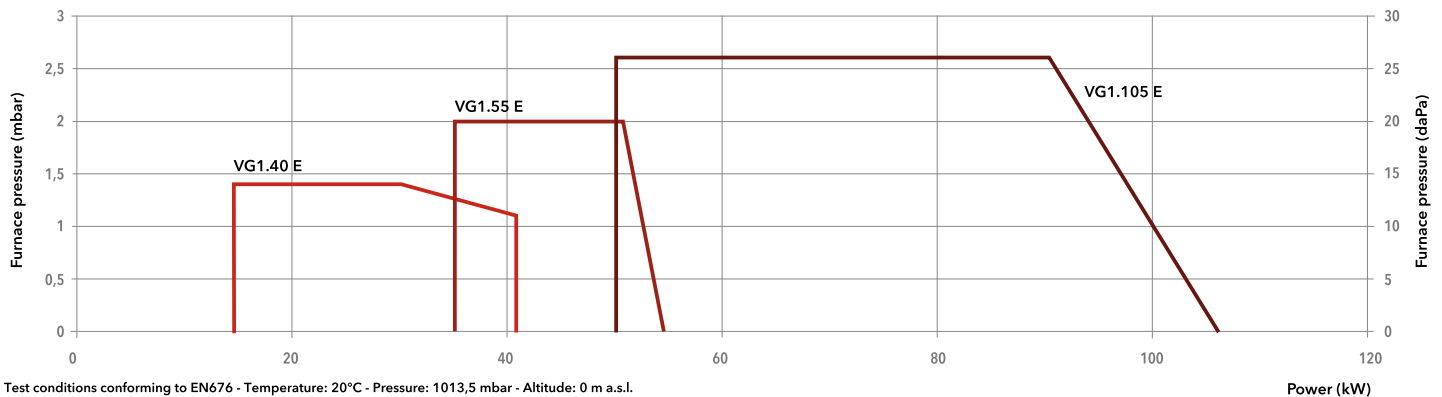
VG1.40 E / VG1.55 E / VG1.105 E

15 ... 105 kW

One stage



- **Fuels:** natural gas (G20/G25, $H_u = 8,83 \dots 10,35 \text{ kWh/m}^3$); LPG (G31, $H_u = 25,89 \text{ kWh/m}^3$)
- **Emissions:** $\text{NO}_x < 56 \text{ mg/kWh}$ (GCV), burners compliant with ErP Directive
- **Protection level:** IP 21

TECHNICAL DATA

Model	VG1.40 E /TC		VG1.55 E /TC		VG1.105 E /TC			
Operation range	15 - 41 kW		35 - 55 kW		50 - 105 kW			
Gas pressure	20 - 100 mbar		20 - 100 mbar		20 - 360 mbar			
Control box / flame detection	TCG1... / ionization		TCG1... / ionization		TCG1... / ionization			
Fan motor	230 V - 50 Hz - 85 W		230 V - 50 Hz - 85 W		230 V - 50 Hz - 85 W			
Electrical consumption (min/max/stand-by)	119 W / 137 W / 3 W		129 W / 131 W / 3 W		196 W / 212 W / 3 W			
Acoustic level (LpA)	55 dB(A)		55 dB(A)		61 dB(A)			
CE certificate	0476 CT 2423		0476 CT 2423		0476 CT 2423			
Head length	KN	KL	KN	KL	KN	KL		
Complete burner code	VR4625 MB-DLE 407	h3/8"-Rp1/2"/TC d3/4"-Rp3/4"/TC	3866346 -	3836506 -	3836347 -	3836517 -	- 3836348	- 3836518

OTHER AVAILABLE VERSIONS
 60 60 Hz version

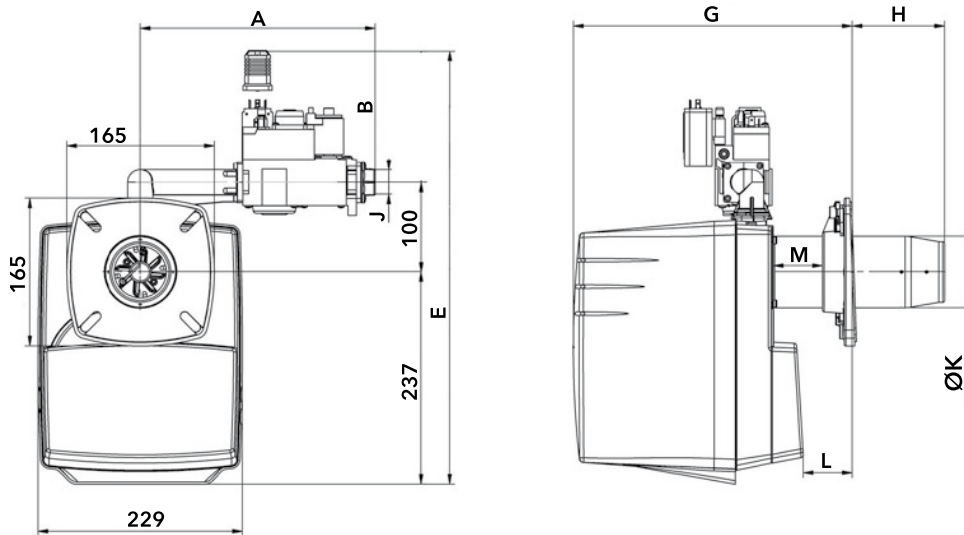
 VENT Versions for continuous ventilation and post-ventilation
SCOPE OF SUPPLY

The burner is delivered in its package complete with:

- 1 gas connection flange
- 1 compact gas train with gas filter; the gas filter is built-in for threaded valves (up to 2") and separated for flanged ones (DN65/80/100)
- 1 burner flange with insulation
- 1 bag containing installation fittings
- 1 bag containing technical documentation (instruction manual, technical data, electrical diagram, exploded view and spare parts list)



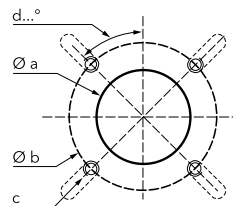
DIMENSIONS (mm)



Model	A	B	E	G		H		J	Ø K	L		M
				KN	KL	KN	KL			min	max	
VG1.40/55 E	263	147	484	297...337	297...387	70...110	70...200	Rp1/2"	80	21	61	48
VG1.105 E	282	140	477	300...355	300...390	70...138	70...228	Rp3/4"	90	15	83	52

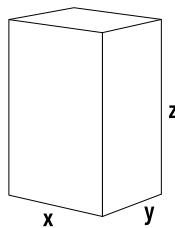
Connecting flange

Model	Øa (mm)	b (mm)	c	d
VG1.40/55 E	85-104	150-170	M8	45°
VG1.105 E	95-104	150-170	M8	45°



PACKAGING

The burner is delivered in a single package containing all the components



Burner	Dimensions (mm)			Gross weight (kg)
	X	Y	Z	
VG1.40 E	300	260	650	12
VG1.55 E	300	260	650	12
VG1.105 E	300	260	650	12