

VENTURI MIXER

VM- $\frac{3}{8}$ VM- $\frac{1}{2}$ VM- $\frac{3}{4}$ VM-1 VM-1 $\frac{1}{2}$ VM-2 VM-3

This Venturi Mixer is a device for mixing a gas with air at an optionally selected mixing ratio. If using the Mixer, it is possible to obtain a relatively high-pressured mixed gas even with the supply gas at a relatively low pressure.

Besides, it is possible not only to minutely adjust the Gas/Air mixing ratio by adjusting the admission of the Gas feeding needle valve but also to adjust the gas feeding rate with the mixing ratio kept constant in its combined with a Zero governer.



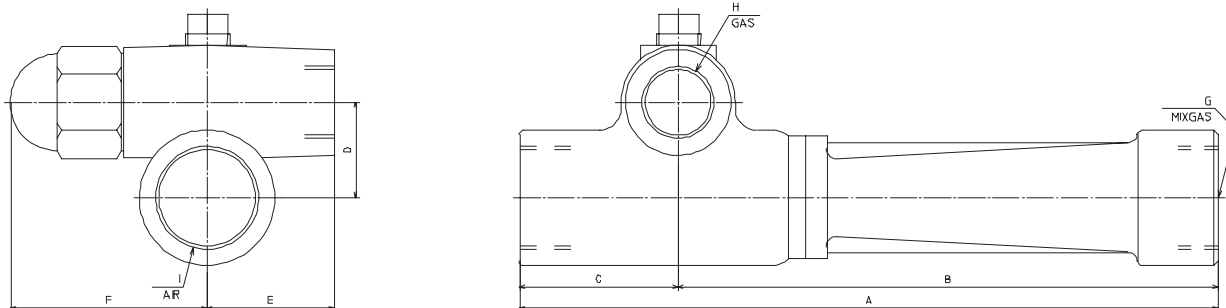
●FEATURES

It is possible to make the microadjustment of any gases ranging from relatively high to relatively low calories by means of the unique adjusting valve.

NOTES

- Take care to make the ratio of the area of the Burners hole to that of the air nozzle of Venturi Mixer to be constant as specified.
- It is necessary to make the length of the pipe line after the Venturi Mixer as short as possible.
- In principle, the combination of a Venturi Mixer with a Burner shall be made in installation.

●OUTER CONFIGURATIONS



●SPECIFICATIONS

	VM- $\frac{3}{8}$	VM- $\frac{1}{2}$	VM- $\frac{3}{4}$	VM-1	VM-1 $\frac{1}{2}$	VM-2	VM-3	Remarks
Standard air pressure (kPa)	5.9	5.9	5.9	5.9	5.9	5.9	5.9	
Mixing capacity (kW)	2	8	15	31	63	126	241	lower heating valve
Outside dimensions (mm)	A	96	115	157	235	330	430	
	B	71	85	115	175	255	325	
	C	25	30	42	60	75	105	
	D	12	15	20	25	45	60	
	E	22	30	35	45	60	70	
	F	36	43	52	64.5	93	118	
Connector diameter	G	PT $\frac{3}{8}$	PT $\frac{1}{2}$	PT $\frac{3}{4}$	PT1	PT1 $\frac{1}{2}$	PT2	PT3
	H	PT $\frac{1}{4}$	PT $\frac{1}{2}$	PT $\frac{1}{2}$	PT $\frac{3}{4}$	PT1	PT1 $\frac{1}{2}$	PT2
	I	PT $\frac{3}{8}$	PT $\frac{1}{2}$	PT $\frac{3}{4}$	PT1	PT1 $\frac{1}{2}$	PT2	PT3
Weight (kg)	0.28	0.6	1.1	2.4	3.5	13.6	25.2	

□ NARITA SEISAKUSHO CO.,LTD.

91, Tomishiro, Simotsuya, Kumiyama-cho, Kuse-gun, Kyoto 613-0035. JAPAN

Phone: +81-774-43-5811 Facsimile: +81-774-44-1103

Web Site: <http://www.narita-mfg.co.jp/>

Email: narita-inf@narita-mfg.co.jp

□ NARITA TECHNO CO.,LTD.

20, Kamijinya-cho, Seto, Aichi 489-0063. JAPAN

Phone: +81-561-21-1111 Facsimile: +81-561-21-1112

Web Site: <http://www.naritatechno.co.jp/>

Email: info@naritaseitosh.co.jp

□ NARITA SEITOSHO CO.,LTD.

70, Dosen-cho, Seto, Aichi 489-8680. JAPAN

Phone: +81-561-82-6138 Facsimile: +81-561-84-9677

Web Site: <http://www.naritaseitosh.co.jp/>

Email: webmaster@naritaseitosh.co.jp