

VE4000 Series

CLASS "A" SOLENOID VALVE VE4000A1



FEATURES

- **Normally Closed valve.**
(spring loaded valve disc, closed when de-energized).
- **Non regulated ON/OFF.**
- **Opening/closing time: <1 sec.**
- **Maximum working frequency: 20 cycles/min.**
- **Wrench boss as well on inlet side as on outlet side for pipe fitting incorporated in the valve housing.**
- **2 auxiliary pressure taps with Rp 1/4" threaded connections, both on the inlet pressure side.**
- **Coil field replaceable.**
- **Coil suitable for permanent energization.**
- **Coil turnable over 360°.**
- **Internal fine mesh screen.**

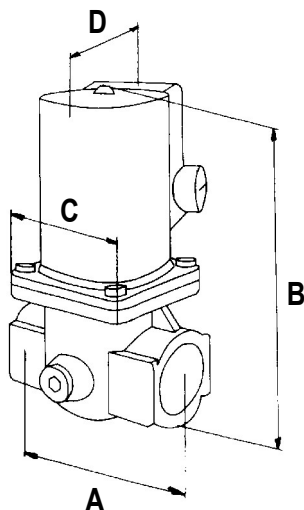


Fig. 1. Dimensional drawing VE4000A1 Series

APPLICATION

These series class "A" gas valves are used for control and regulation of gaseous fluids in gas power burners, atmospheric gas boilers, melting furnaces, incinerators and other gas consuming appliances.

SPECIFICATION

Model

VE4000A1

Dimensions

See figure and table below.

Pipe sizes

Inlet and outlet 3/8" up to 3" internal parallel pipe thread according to ISO 7-1.

Mounting and orientation

The valve may be assembled on the pipeline within plus or minus 90 degrees of the vertical axis and 30 cm. air space around the coil assy.

Capacity

See capacity curves VE4000 Series on page 66 and 67.

Maximum operating pressure

Rp 3/8" to Rp 1/2" types up to 360 mbar
Rp 3/4" to Rp 2. 1/2" types; 200 or 360 mbar

Torsion and bending stress

Pipe connections meet group 2, according to EN161 requirements.

Supply voltage

Line voltage: 220 ... 240 Vac, 50/60 Hz
110 Vac, 50/60 Hz
24 Vac, 50/60 Hz
24 ... 28 Vdc

Ambient temperature range

-15 ... 60 °C

Electrical connection

Plug connection according to PG11
Optional: Male DIN plug connector according to ISO4400

Coil insulation solenoid valves

Insulation material according to class F.

Electrical protection

IP54
IP65 on request.

Valve body

Aluminium alloy die-cast

Bottom plug

Rp 1/4" for Closed Position Indication (CPI) switch.

Strainer

AISI 303 steel

Closing spring

AISI 302 steel

Valve plunger

Chrome plated Fe 360B steel sliding on anti-friction bearing.

Seals and gaskets

Hydrocarbon resistant NBR rubber type

Optional: Viton rubber type

Standards and Approvals

Class "A" valve in accordance with EN161 standards.
The VE4000 Series gas valves conform with the following EC directives:

- Gas Appliance Directive (90/396/EEC)
PIN: CE-0063AP3075/1
- Low Voltage Directive (73/23/EEC)
- Electro Magnetic Compatibility Directive (89/336/EEC)

Table 1. VE400A1 Series, Class "A" Normally Closed solenoid valve, ON/OFF.

O.S. Number	Rated Voltage (Vac)	Connect (inch)	DN	Maximum Operating Pressure (mbar)	Overall Dimensions (mm)				Power Cons. (W)	Enclosure	Weight (kg)	Bottom Plug	DIN Plug	Viton
					A	B	C	D						
VE4010A1006	220 ... 240	3/8	10	360	72	112	52	85	14	IP54	1.1	-	-	-
VE4010A1030	220 ... 240	3/8	10	360	72	112	52	85	14	IP54	1.1	-	-	-
VE4010A1048	220 ... 240	3/8	10	360	72	112	52	85	14	IP54	1.1	-	✓	✓
VE4010A1014	110	3/8	10	360	72	112	52	85	14	IP54	1.1	-	-	-
VE8010A1010	24 ... 28Vdc	3/8	10	360	72	112	52	85	14	IP54	1.1	-	-	-
VE8010A1028	24 ... 28Vdc	3/8	10	360	72	112	52	85	14	IP54	1.1	-	-	-
VE8010A1002	24	3/8	10	360	72	112	52	85	14	IP54	1.1	-	-	-
VE4015A1005	220 ... 240	1/2	15	360	72	112	52	85	14	IP54	1.1	-	-	-
VE4015A1039	220 ... 240	1/2	15	360	72	112	52	85	14	IP65	1.1	-	-	-
VE4015A1070	220 ... 240	1/2	15	360	72	112	52	85	14	IP65	1.1	-	-	-
VE4015A1013	110	1/2	15	360	72	112	52	85	14	IP54	1.1	-	-	-
VE4015A1054	110	1/2	15	360	72	112	52	85	14	IP65	1.1	-	-	-
VE8015A1001	24	1/2	15	360	72	112	52	85	14	IP54	1.1	-	-	-
VE8015A1019	24 ... 28Vdc	1/2	15	360	72	112	52	85	14	IP54	1.1	-	-	-
VE8015A1027	12Vdc	1/2	15	360	72	112	52	85	14	IP54	1.1	-	-	-
VE4020A1005	220 ... 240	3/4	20	200	86	156	70	96	20	IP54	1.9	✓	-	-
VE4020A1062	220 ... 240	3/4	20	360	86	156	70	96	20	IP54	1.9	✓	-	-
VE4020A1104	220 ... 240	3/4	20	200	86	156	70	96	20	IP54	1.9	✓	✓	-
VE4020A1054	110	3/4	20	200	86	156	70	96	18	IP54	1.9	✓	-	-
VE4020A1088	110	3/4	20	360	86	156	70	96	21	IP54	1.9	✓	-	-
VE4020A1096	110	3/4	20	360	86	156	70	96	21	IP54	1.9	✓	-	✓
VE8020A1019	24 ... Vdc	3/4	20	200	86	156	70	96	21	IP54	1.9	✓	-	-
VE8020A1001	24	3/4	20	200	86	156	70	96	21	IP54	1.9	✓	-	-
VE8020A1027	12Vdc	3/4	20	200	86	156	70	96	21	IP54	1.9	✓	-	-
VE4025A1004	220 ... 240	1	25	200	100	156	75	96	20	IP54	2.0	✓	-	-
VE4025A1061	220 ... 240	1	25	360	100	156	75	96	20	IP54	2.0	✓	-	-
VE4025A1095	220 ... 240	1	25	200	100	156	75	96	20	IP54	2.0	✓	-	-
VE4025A1053	110	1	25	200	100	156	75	96	18	IP54	2.0	✓	✓	-
VE4025A1103	110	1	25	360	100	156	75	96	21	IP54	2.0	✓	-	-
VE4025A1187	110	1	25	360	100	156	75	96	21	IP65	2.0	✓	-	-
VE4025A1111	110	1	25	200	100	156	75	96	21	IP65	2.0	✓	-	-
VE4025A1129	110	1	25	200	100	156	75	96	21	IP65	2.0	✓	✓	✓
VE8025A1018	24 ... 28Vdc	1	25	200	100	156	75	96	21	IP54	2.0	✓	-	-
VE8025A1034	24 ... 28Vdc	1	25	360	100	156	75	96	21	IP54	2.0	✓	✓	-
VE8025A1000	24	1	25	200	100	156	75	96	21	IP54	2.0	✓	-	-
VE8025A1026	12Vdc	1	25	200	100	156	75	96	21	IP54	2.0	✓	-	-
VE4032A1000	220 ... 240	1 1/4	32	200	150	214	110	118	40	IP54	5.8	✓	-	-
VE4032A1018	110	1 1/4	32	200	150	214	110	118	47	IP54	5.8	✓	-	-
VE4032A1067	110	1 1/4	32	200	150	214	110	118	47	IP65	5.8	✓	-	-
VE8032A1014	24 ... 28Vdc	1 1/4	32	200	150	214	110	118	53	IP54	5.8	✓	-	-
VE8032A1022	24 ... 28Vdc	1 1/4	32	200	150	214	110	118	53	IP54	5.8	✓	✓	-
VE8032A1006	24	1 1/4	32	200	150	214	110	118	53	IP54	5.8	✓	-	-
VE4040A1003	220 ... 240	1 1/2	40	200	150	214	110	118	40	IP54	5.8	✓	-	-
VE4040A1094	220 ... 240	1 1/2	40	200	150	214	110	118	40	IP65	5.8	✓	-	-
VE4040A1102	220 ... 240	1 1/2	40	200	150	214	110	118	40	IP65	5.8	✓	✓	-
VE4040A1052	110	1 1/2	40	200	150	214	110	118	47	IP54	5.8	✓	-	-
VE4040A1086	110	1 1/2	40	200	150	214	110	118	47	IP65	5.8	✓	-	-
VE8040A1017	24 ... 28Vdc	1 1/2	40	200	150	214	110	118	53	IP54	5.8	✓	-	-
VE8040A1009	24	1 1/2	40	200	150	214	110	118	53	IP54	5.8	✓	-	-
VE4050A1002	220 ... 240	2	50	200	170	220	135	123	41	IP54	6.4	✓	-	-
VE4050A1077	220 ... 240	2	50	200	170	220	135	123	41	IP65	6.4	✓	-	-
VE4050A1051	110	2	50	200	170	220	135	123	48	IP54	6.4	✓	-	-
VE4050A1085	110	2	50	200	170	220	135	123	48	IP65	6.4	✓	-	-
VE8050A1016	24 ... 28Vdc	2	50	200	170	220	135	123	50	IP54	6.4	✓	-	-
VE8050A1008	24	2	50	200	170	220	135	123	50	IP54	6.4	✓	-	-
VE4065A1000	220 ... 240	2 1/2	65	200	225	290	170	145	73	IP54	12.2	✓	-	-