

AT72-J1

Transformer

The AT72-J1 is a transformer used to step down 100V, 200V, or 220V to a lower voltage. It is used as a 24Vac power transformer for Modutrol motors, power-driven valves, relays and gas valves.

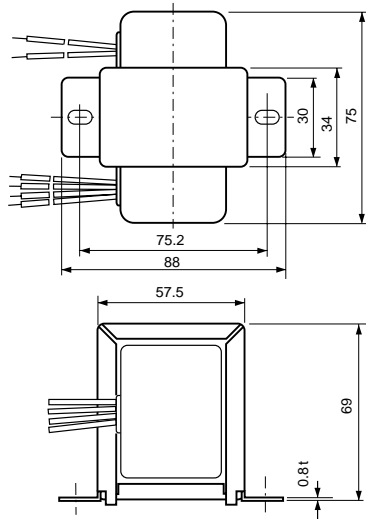
This is footed-type transformer and is panel mounted.



Specifications	
Primary voltage	100Vac, 200Vac, 220Vac
Secondary voltage	Nominal 25Vac
Frequency	50/60Hz
Rated capacity	23VA
Wiring connection	Approx. 380mm colored leadwires
Ambient temperature	0 to 60°C
Ambient humidity	40°C, 90%RH
Weight	Approx. 1.8kg
Accessories	Closed end splices(2)

Selection Guide	
Model No.	Description
AT72-J1	Transformer

Dimensions (unit:mm)



ACTUATORS